

## Accessories for magnetic sensors

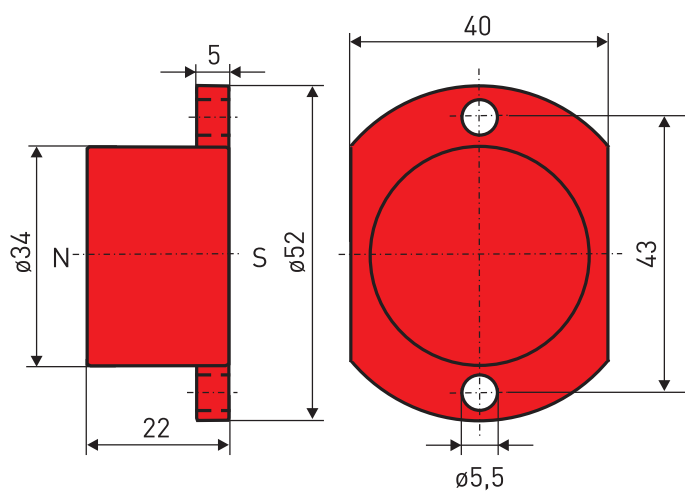
### Actuating magnet M 700 N

Material number: 1042612 (Material number old: 05.00.8204)

#### Features/Options:

- Thermoplastic enclosure polyamid 6.6, red S
- Magnet: Barium ferrite
- Temperature resistant from -40 °C to +80 °C

#### Dimensions



#### Technical data

Weight	68 g
--------	------