

Accessories for magnetic sensors

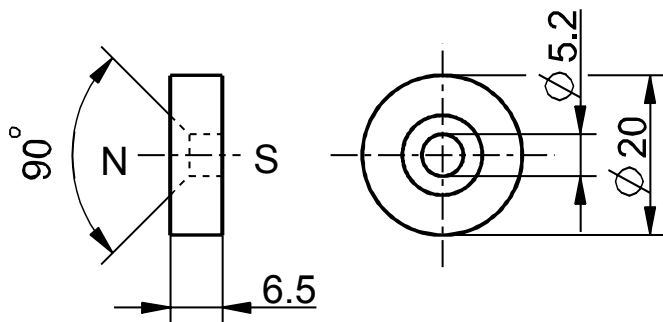
Actuating magnet M 100 NU

Material number: 1033966 (Material number old: 01.24.0005)

Features/Options:

- Unenclosed
- Magnet: Barium ferrite
- Temperature resistant from -40 °C to +150 °C

Dimensions



Technical data

Weight 8 g