



Position switch Extreme with safety function

ES 41 PH/180° 1Ö/1S +180°C Extreme

Material number: 1181167 (Material number old: 41019903)

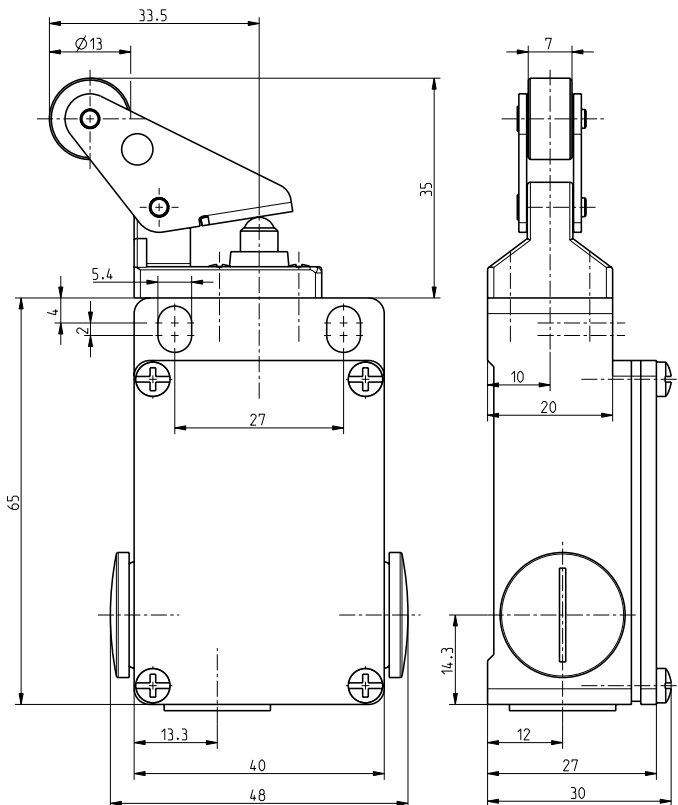
Features/Options:

- Metal enclosure
- 2 contacts
- 3 cable entries M16 x 1.5
- Heat-resistant up to +180 °C
- Locking screws, brass nickel-plated
- Actuator: Parallel roller lever PH
- Actuating speed max. 0.5 m/s with an actuating angle of 30°
- Actuation parallel to switch from below
- Metal roller
- Actuator can be repositioned by 4 x 90°
- Attention: Please state required international approvals with your order!

Notes

- When used as safety switch, secure the enclosure against slipping with appropriate means, e.g. pinning.

Dimensions



Technical data

Applied standards	EN ISO 13849-1, EN 60947-5-1, EN ISO 14119
Enclosure	aluminium die-cast, powder-coated
Cover	steel, powder-coated
Switch type	type 1
Coding level	no coding
Degree of protection	IP 65 to IEC/EN 60529
B _{10d} (10 % load)	2 million
T _M	max. 20 years
Contact material	silver
Switching system	slow action, positive break NC contacts ⊖
Switching elements	1 NC/1 NO contact, type Za
Connection	screw connection terminals
Cable cross-section	max. 2.5 mm ² (incl. conductor ferrules)
Cable entry	3 x M16 x 1.5
Rated impulse withstand voltage U _{imp}	4 kV
Rated insulation voltage U _i	400 V
Conventional thermal current I _{the}	6 A
Utilisation category	AC-15
Rated operating current/voltage I _e /U _e	6 A/400 VAC

Errors and omissions excepted.



Position switch Extreme with safety function

ES 41 PH/180° 1Ö/1S +180°C Extreme

Material number: 1181167 (Material number old: 41019903)

Technical data

Short-circuit protection 6 A gG/gN fuse

Mechanical life > 1 million operations

Operation cycles max. 1800/h

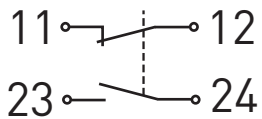
Ambient temperature -20 °C ... +180 °C

Approvals

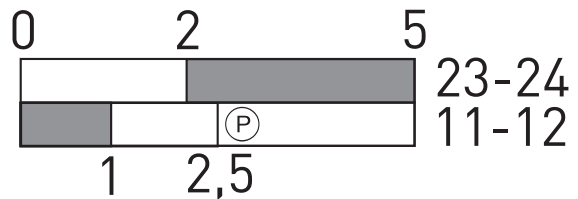


Weight 180 g

Contact diagram



Switching diagram



Ⓟ Positive break travel/angle