



Safety switch with separate actuator ST 98-12 Material number: 1224002

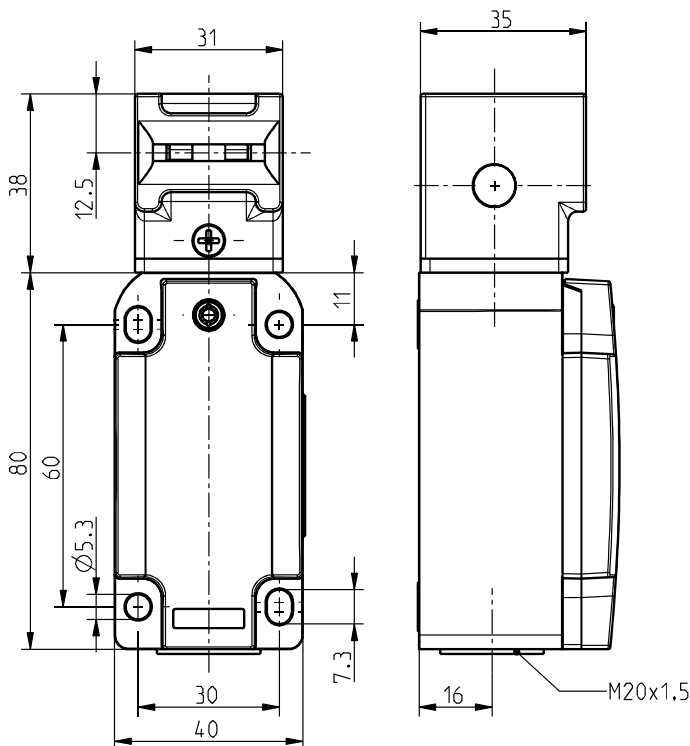
Features/Options:

- Metal enclosure
- Mounting details to EN 50041

Notes

- The actuator is not included in the delivery of the switches

Dimensions



Technical data

Applied standards	EN ISO 13849-1, EN 60947-5-1, EN ISO 14119
Enclosure	aluminium die-cast, powder-coated
Switch type	type 2
Coding level	low coding
Degree of protection	IP 67 to IEC/EN 60529
B _{10d} (10 % load)	2 million
T _M	max. 20 years
Contact material	silver
Switching system	slow action, positive break NC contacts ⊖
Switching elements	2 NC/1 NO contact, type Zb
Connection	screw connection terminals
Cable cross-section	max. 1.5 mm ² (incl. conductor ferrules)
Cable entry	1 x M20 x 1.5
Rated impulse withstand voltage U _{imp}	4 kV
Rated insulation voltage U _i	400 V
Conventional thermal current I _{the}	1.5 A
Rated operating current/voltage I _e /U _e	1.5 A/230 VAC; 0.27 A/250 VDC
Utilisation category	AC-15; DC-13
Short-circuit protection	1.5 A gG/gN fuse
Operation cycles	max. 1800/h
Positive break travel	8.3 mm
Ambient temperature	-20 °C ... +80 °C

Errors and omissions excepted.



Safety switch with separate actuator
ST 98-12
Material number: 1224002

Technical data

Mechanical life > 1 million operations

Approvals



Weight 280 g

Contact diagram

