



Pull-wire switch

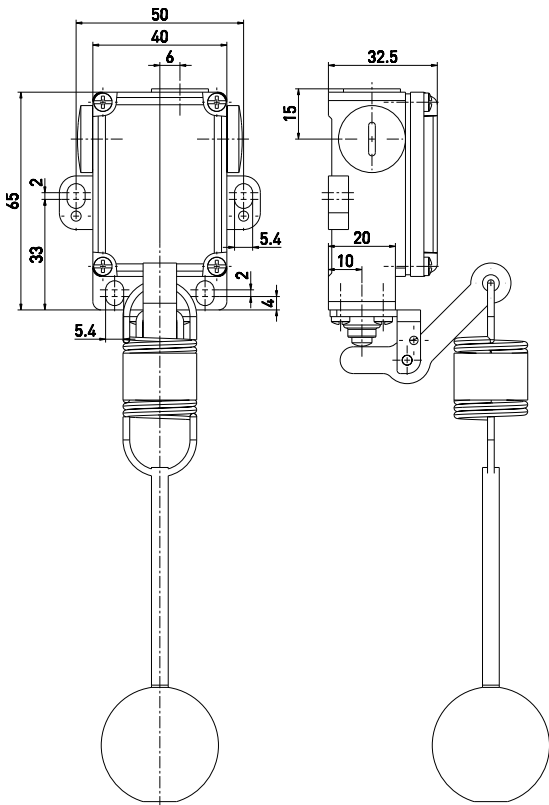
ES 41 WH/90° 1Ö/1S - 3.2 m nylon pull-wire with rubber ball

Material number: 1177335 (Material number old: 41014916)

Features/Options:

- Version for door/gate opening ES 41 WH/90° 1Ö/1S: including 3.2 m long nylon pull-wire with rubber ball, including mounting screws and rawplugs
- Metal enclosure with plastic cover
- Wall mounting
- Slow action: 2 contacts
- Pull-wire function

Dimensions



Technical data

Applied standards	EN 60947-5-1
Enclosure	aluminium die-cast, powder-coated
Cover	steel, powder-coated
Degree of protection	IP 65 to IEC/EN 60529
Contact material	silver
Switching elements	1 NC/1 NO contact
Switching system	slow action, positive break NC contacts \ominus
Connection	screw connection terminals
Cable cross-section	max. 2.5 mm ² (incl. conductor ferrules)
Cable entry	3 x M16 x 1.5
Rated impulse withstand voltage U_{imp}	4 kV
Rated insulation voltage U_i	400 V
Conventional thermal current I_{the}	6 A
Utilisation category	AC-15
Rated operating current/voltage I_e/U_e	6 A/400 VAC
Short-circuit protection	6 A gG/gN fuse
Ambient temperature	-20 °C ... +80 °C
Mechanical life	> 1 million operations
Operation cycles	max. 3600/h
Actuating force	max. 45 N
Approvals	
Weight	210 g

Errors and omissions excepted.

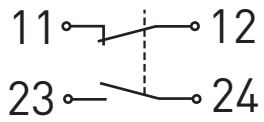


Pull-wire switch

ES 41 WH/90° 1Ö/1S - 3.2 m nylon pull-wire with rubber ball

Material number: 1177335 (Material number old: 41014916)

Contact diagram



Switching diagram

