



Wireless inductive sensor

RF IS M18 nb-ST 0.5 m

Material number: 1261564 (Material number old: 90211006)

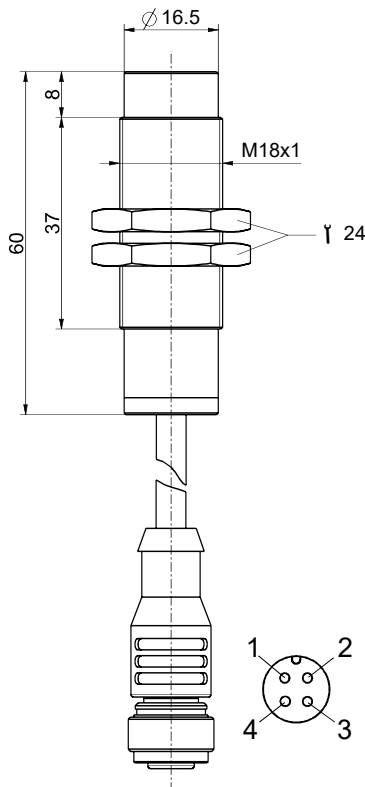
Features/Options:

- Metal enclosure
- M18 x 1 thread
- Non-flush mounting

Notes

- 2 mounting nuts are included in delivery

Dimensions



Technical data

Applied standards	EN 60947-5-2, EN 61000-6-2, EN 61000-6-3
Enclosure	brass, nickel
Actuator	steel plate 24 x 24 x 1 mm, FE 360
Front cap	PVC, black
Back cap	PVC, black
Degree of protection	IP 67 to IEC/EN 60529
Connection	Coupling M12 x 1, 4-pole
Cable length	0.5 m
Ambient temperature	-25 °C ... +70 °C
Rated insulation voltage U_i	75 VDC
Rated operating current I_e	0.2 mA
Rated operating voltage U_e	3 ... 5 VDC
Rated switching distance s_n	8 mm
Assured switching distance s_a	0 ... 6.48 mm
Real switching distance s_r	7.2 ... 8.8 mm
Hysteresis	approx. 10 %
Repeatability	≤ 5 %
Type of installation	non-flush
Switching frequency	see RF 96 ST / RF I/O
Correction factors	Steel (Fe360) = 1; Stainless steel approx. 0.7; Brass approx. 0.5; Aluminium approx. 0.4; Copper approx. 0.4
Note	The sensor may only be used in combination with RF 96 ST or RF I/O

Errors and omissions excepted.



Wireless inductive sensor

RF IS M18 nb-ST 0.5 m

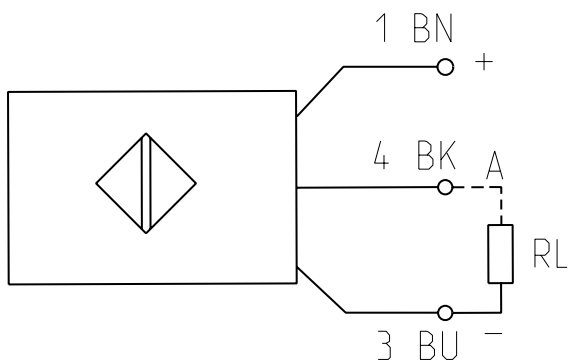
Material number: 1261564 (Material number old: 90211006)

Technical data

Weight

80 g

Contact diagram



Errors and omissions excepted.