



## Ex inductive sensor Ex IS M30b 10ABBAB N 1GD 10m Material number: 1469904

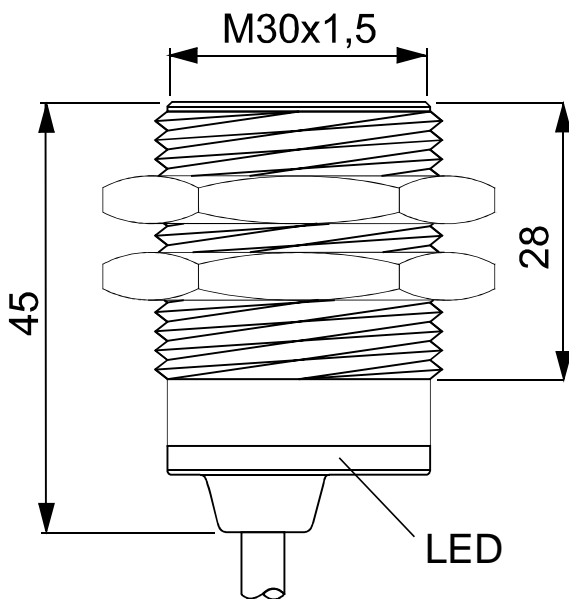
### Features/Options:

- Ex zone 0 and 20
- Stainless steel enclosure
- Flush mounting
- Long life, no mechanical wear
- Suitable for the food processing industry
- Insensitive to soiling
- With LED

### Notes

- 2 mounting nuts are included in delivery

### Dimensions



### Technical data

Applied standards	EN 60079-0, EN 60079-11, EN 60079-26
Enclosure	stainless steel 1.4305
Front cap	polycarbonate
Degree of protection	IP 66, IP 67, IP 68 (EN 60079-0 + IEC/EN 60529)
Connection	cable PUR blue
Cable diameter	4.5 mm
Cable cross-section	2 x 0.5 mm <sup>2</sup>
Cable length	10 m
Switching system	Namur to EN 60947-5-6
Rated switching distance $s_n$	10 mm
Correction factors	Steel (Fe360) = 1; Stainless steel approx. 0.7; Brass approx. 0.5; Aluminium approx. 0.4; Copper approx. 0.4
Rated operating voltage range $U_B$	8.2 VDC
Current absorption	in presence of metal $\leq 1$ mA; in absence of metal $\geq 3$ mA
Switching frequency	500 Hz
Repeatability	$\leq 3$ %
Protection circuit	Inductive interference protection, protection against polarity reversal, short-circuit and overload proof
Ambient temperature	-25 °C ... +60 °C

Errors and omissions excepted.



Ex inductive sensor  
Ex IS M30b 10ABBAB N 1GD 10m  
Material number: 1469904

## Technical data

### Ex marking

⊕ II 1G Ex ia IIB/IIC T6 Ga,  
⊕ II 1D Ex ia IIIC T85°C Da  
IP66/IP67/IP68  
IECEX Ex ia IIB/IIC T6 Ga  
Ex ia IIIC T85°C Da IP66/IP67/  
IP68

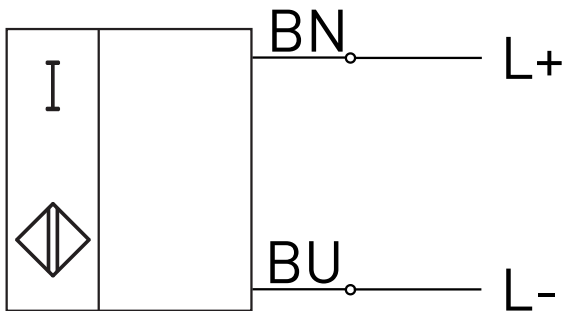
### Approvals

IMQ 14 ATEX 001  
IECEX IMQ 14.0001X

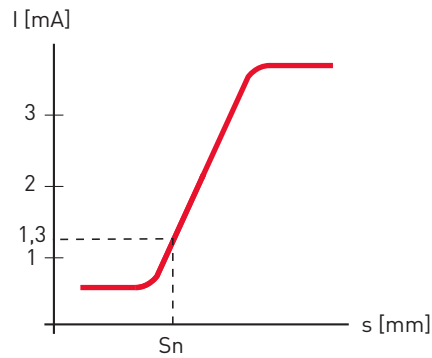
### Weight

374 g

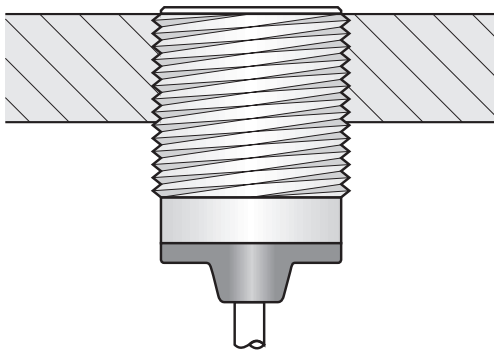
## Contact diagram



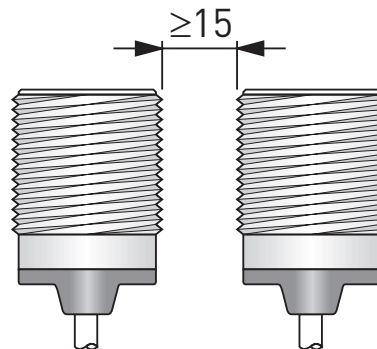
## Switching behaviour



## Flush mounting



## Side by side mounting



Errors and omissions excepted.