

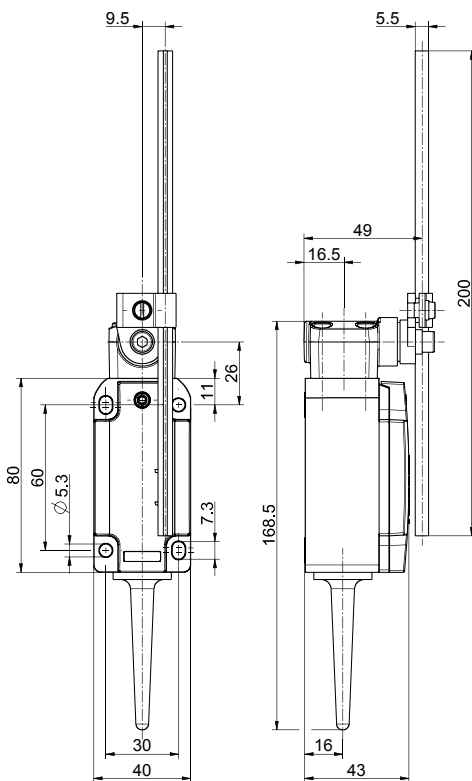


Wireless position switch RF 98 DD ULR SW868 Material number: 1189815

Features/Options:

- Metal enclosure
- Design to EN 50041
- sWave® wireless technology
- No power supply, no wiring and pipe laying required
- Easy programming of receiver
- Output signal can be individually configured at the receiver
- Actuator: Rod lever DD
- Actuator type D to EN 50041
- Actuating speed max. 2.5 m/s with a vertical actuating angle of 30°

Dimensions



Technical data

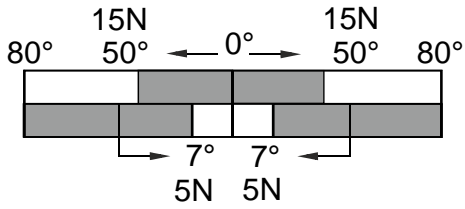
Applied standards	EN 60947-5-1, EN 61000-6-2, EN 61000-6-3, EN 301 489-1, EN 301 489-3, EN 300 220-2
Enclosure	aluminium die-cast, powder-coated
Cover	aluminium die-cast, powder-coated
Degree of protection	IP 67 to IEC/EN 60529
Protocol	sWave®
Frequency	868.3 MHz (Europe, China)
Transmission power	< 25 mW
Data rate	66 kbps
Channel bandwidth	480 kHz
Voltage supply	electrodynamical energy generator
Ambient temperature	-20 °C ... +65 °C
Operation cycles	max. 12000 telegrams with repetitions/h
Wireless range	max. 700 m outdoors, max. 50 m indoors
Mechanical life	> 1 million operations
Actuating time	min. 80 ms
Note	no status signal available
Wireless approvals	Europe: RED 2014/53/EU
Weight	280 g

Errors and omissions excepted.



Wireless position switch
RF 98 DD ULR SW868
Material number: 1189815

Switching diagram



Errors and omissions excepted.