



Position switch with safety function

ES 41 1S/1Ö UE

Material number: 1046494 (Material number old: 41201001)

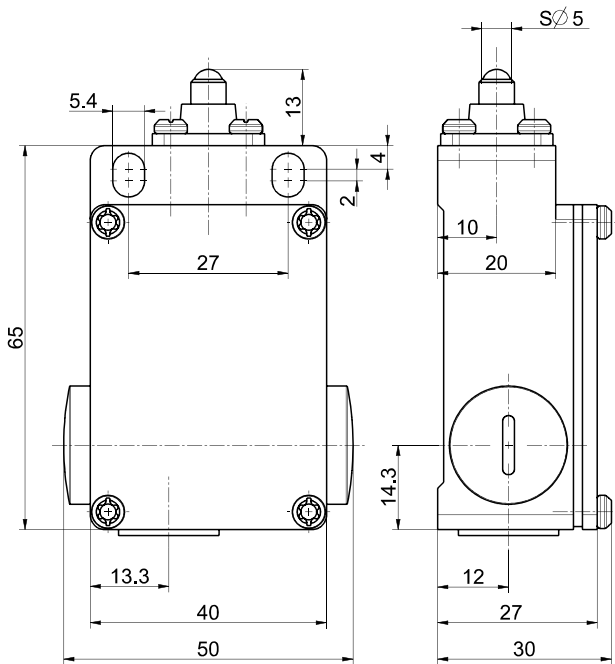
Features/Options:

- Metal enclosure
- Slow action \ominus , change-over contact with overlapping with double break
- 3 cable entries M16 x 1.5
- Actuator: Plunger
- Actuating speed max. 0.5 m/s with a vertical actuating angle of 20°
- Vertical actuation or actuation from side possible
- Actuator with captive stainless steel ball
- Exact repeatability of switching point

Notes

- When used as safety switch, secure the enclosure against slipping with appropriate means, e.g. pinning.

Dimensions



Technical data

Applied standards	EN ISO 13849-1, EN 60947-5-1, EN ISO 14119
Enclosure	aluminium die-cast, powder-coated
Switch type	type 1
Coding level	no coding
Degree of protection	IP 65 to IEC/EN 60529
B_{10d} (10 % load)	2 million
T_M	max. 20 years
Contact material	silver
Switching system	slow action, positive break NC contacts \ominus
Switching elements	1 NC/1 NO contact with contact overlapping, type Zb
Connection	screw connection terminals
Cable cross-section	max. 2.5 mm ² (incl. conductor ferrules)
Cable entry	3 x M16 x 1.5
Rated impulse withstand voltage U_{imp}	4 kV
Rated insulation voltage U_i	400 V
Conventional thermal current I_{the}	6 A
Utilisation category	AC-15
Rated operating current/voltage I_e/U_e	6 A/400 VAC
Short-circuit protection	6 A gG/gN fuse

Errors and omissions excepted.



Position switch with safety function

ES 41 1S/1Ö UE

Material number: 1046494 (Material number old: 41201001)

Technical data

Mechanical life > 1 million operations

Operation cycles max. 3600/h

Ambient temperature -20 °C ... +80 °C

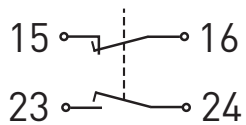
Repeat accuracy of switching points ± 0.1 mm

Approvals

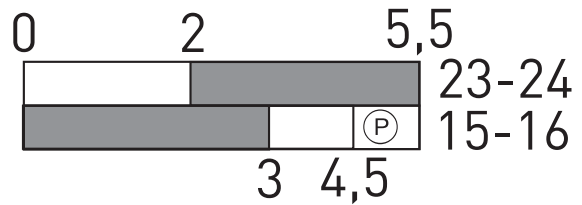


Weight 143 g

Contact diagram



Switching diagram



Ⓟ Positive break travel/angle