



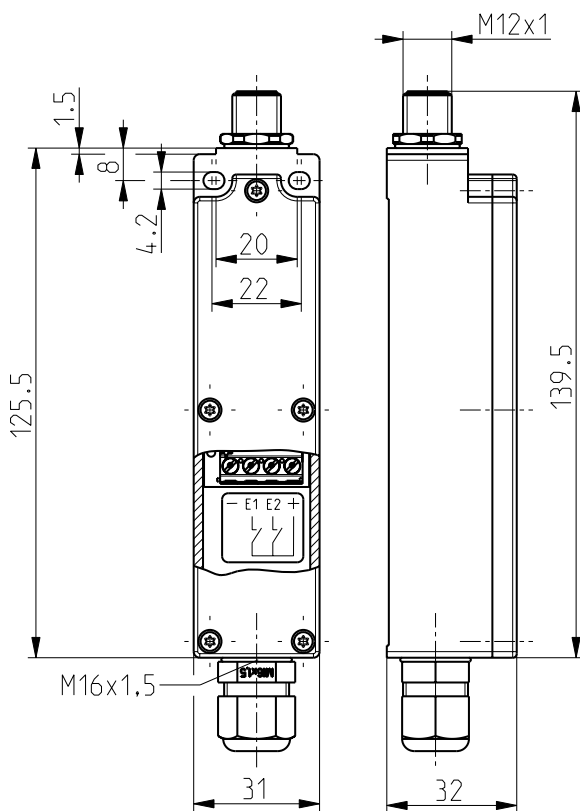
Wireless universal transmitter RF 96 ST SW915 Vcc extern Material number: 1245020

Features/Options:

- Thermoplastic enclosure
- Mounting details to EN 50047
- sWave® wireless technology
- External power supply via M12 plug-in connector
- Can be combined with [3-wire PNP sensors 24 VDC](#) or external sensors or NO contacts with gold contacts

- Power supply: 24 VDC
- Easy programming of receiver
- Output signal can be individually configured at the receiver

Dimensions



Technical data

Applied standards	EN 60947-5-1, EN 61000-6-2, EN 61000-6-3, EN 61000-4-4, EN 61000-4-5, EN 61000-4-6, EN 301 489-1, EN 301 489-3, EN 300 220-1, EN 300 220-2
Enclosure	thermoplastic, glass-fibre reinforced, impact resistant, self-extinguishing UL 94 V-0
Tightening torque	M4 enclosure mounting screws: max 1.2 Nm M2.5 cover screws: approx. 0.45 Nm
Degree of protection	IP 67 to IEC/EN 60529
Protocol	sWave®
Frequency	915 MHz (USA, Canada, Mexico, Australia)
Transmission power	< 25 mW
Data rate	66 kbps
Channel bandwidth	550 kHz
Voltage supply	24 VDC
Connection	plug-in connector M12 x 1, 4-pole
Ambient temperature	-20 °C ... +65 °C
Switching frequency	max. 5 Hz
Rated operating voltage range U_B	10 ... 30 VDC Pin 1 and Pin 3 plug-in connector M12
Rated insulation voltage U_i	75 VDC
Rated impulse withstand voltage U_{imp}	0.5 kV
Rated operating current I_e	2.5 mA
Standby current	15 µA (if sensor is not connected)
Voltage drop $U_e - U_a$	1.5 V

Errors and omissions excepted.



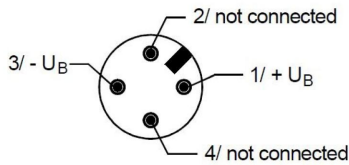
Wireless universal transmitter RF 96 ST SW915 Vcc extern Material number: 1245020

Technical data

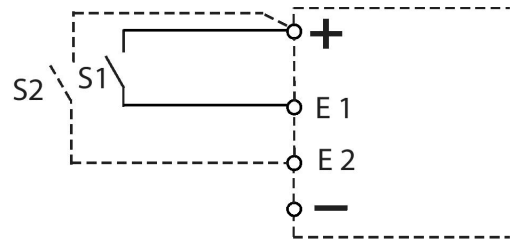
Load current	max. 100 mA
Switching points	> 5 VDC (E1, E2)
Wireless range	max. 450 m outdoors, max. 40 m indoors
Actuating time	min. 80 ms
Wireless approvals	USA: FCC - XK5-RFRXSW915 Canada: IC - 5158A-RFRXSW915 Mexico: IFT - RCPSTRF17-1886
Weight	92 g

Plug-in configuration / Power supply

- M12 x 1
- 1 BN +U_B
- 2 WH NC
- 3 BU -U_B
- 4 BK NC



External switch contact



Sensors

