



Belt alignment switch

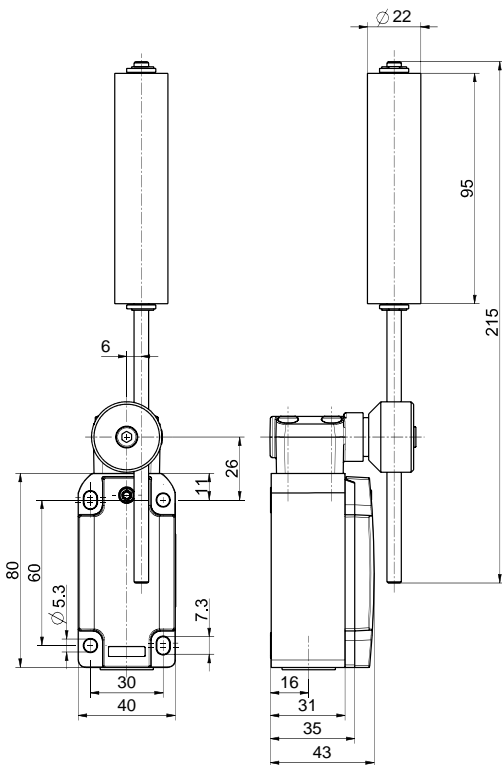
ES 98 SR-11U

Material number: 1249802 (Material number old: 9102310001)

Features/Options:

- Metal enclosure
- 2 contacts
- Design to EN 50041
- Wiring compartment
- Adjustable-length stainless steel rod lever with nylon roller
- Belt alignment lever adjustable in 13° steps using a self-locking mechanism
- For light- and medium-heavy applications

Dimensions



Technical data

| | |
|--|---|
| Applied standards | EN ISO 13849-1, EN 60947-5-1 |
| Enclosure | aluminium die-cast, powder-coated |
| Degree of protection | IP 67 to IEC/EN 60529 |
| B _{10d} (10 % load) | 2 million |
| T _M | max. 20 years |
| Contact material | silver |
| Switching system | slow action |
| Switching elements | 1 NC/1 NO contact with contact overlapping, type Zb |
| Connection | screw connection terminals |
| Cable cross-section | max. 2.5 mm ² (incl. conductor ferrules) |
| Cable entry | 1 x M20 x 1.5 |
| Rated impulse withstand voltage U _{imp} | 4 kV |
| Rated insulation voltage U _i | 250 V |
| Conventional thermal current I _{the} | 6 A |
| Rated operating current/voltage I _e /U _e | 6 A/250 VAC; 0.25 A/230 VDC |
| Utilisation category | AC-15; DC-13 |
| Short-circuit protection | 6 A gG/gN fuse |
| Mechanical life | > 1 million operations |
| Operation cycles | max. 1800/h |
| Ambient temperature | -20 °C ... +60 °C |
| Approvals | |
| Weight | 440 g |

Errors and omissions excepted.

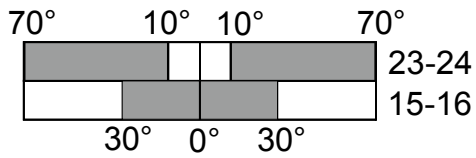


Belt alignment switch

ES 98 SR-11U

Material number: 1249802 (Material number old: 9102310001)

Switching diagram



Contact diagram

