



Safety sensor RC Si 56 2Ö - 2m

Material number: 1188333 (Material number old: 25650201)

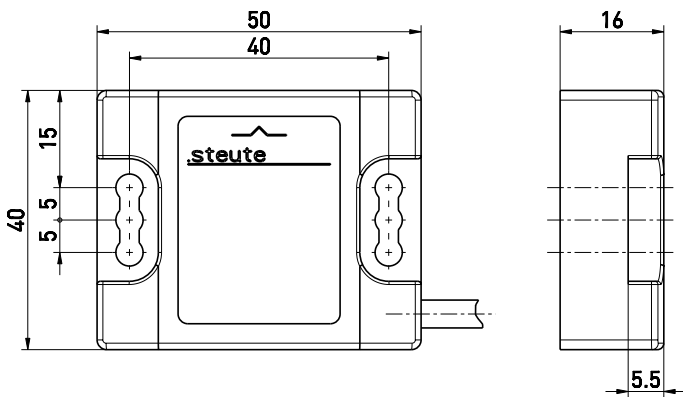
Features/Options:

- Thermoplastic enclosure
- Long life
- Reed contacts, coded
- Actuation from front
- Switching distance up to 6 mm
- With pre-wired cable

Notes

- The actuator is not included in the delivery of the switches

Dimensions



Technical data

Applied standards	EN 60947-5-1, EN 60947-5-3, EN ISO 13849-1, EN ISO 14119
Enclosure	thermoplastic, glass-fibre reinforced, impact resistant, self-extinguishing UL 94 V-0
Sensor type	type 4 interlocking device
Coding level	low coding
Degree of protection	IP 67 to IEC/EN 60529
Safety-relevant data:	
EN ISO 13849-1	Performance Level PL e
Category	4
B_{10d} (10 % load)	2 million
T_M	max. 20 years
$MTTF_d$	> 100 years
DC/DC _{avg}	> 99 %
Note	The safety-related data are only valid in combination with a safety module, e.g. SRM 21 RT2 (mat. no. 1179203).
Switching system	reed contacts
Switching elements	2 NC contacts
Connection	pre-wired cable 4 x AWG 24
Cable length	2 m
Switching voltage	max. 30 VDC
Rated operating current/voltage I_e/U_e	max. 157 mA / 24 VDC
Utilisation category	DC-12
Voltage drop at I_e	max. 3.15 V

Errors and omissions excepted.



Safety sensor RC Si 56 2Ö - 2m

Material number: 1188333 (Material number old: 25650201)

Technical data

Short-circuit current I_k max. 750 mA for 50 ms

Switching frequency max. 5 Hz

Assured switching distance
»OFF« s_{ar} > 23 mm

Repeatability ± 0.5 mm

Hysteresis min. 23 mm

Degree of pollution 3

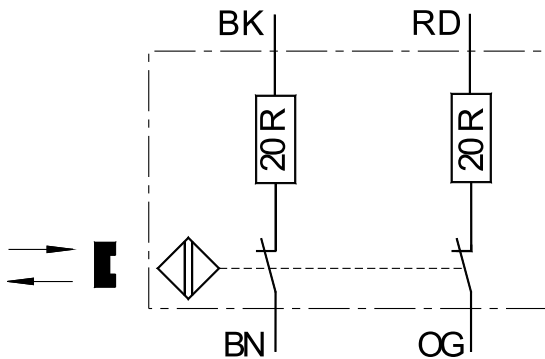
Safety class II

Ambient temperature -20 °C ... $+85$ °C

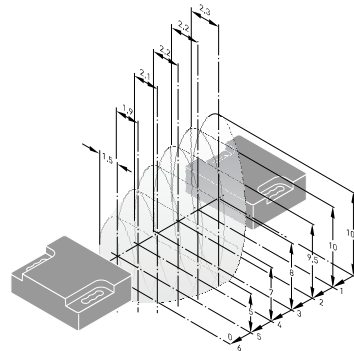
Mechanical life > 1 million operations

Weight 90 g

Contact diagram



Axial misalignment



Errors and omissions excepted.