



Safety sensor RC Si M30 1Ö/1S - 10m Material number: 1189541 (Material number old: 23000902)

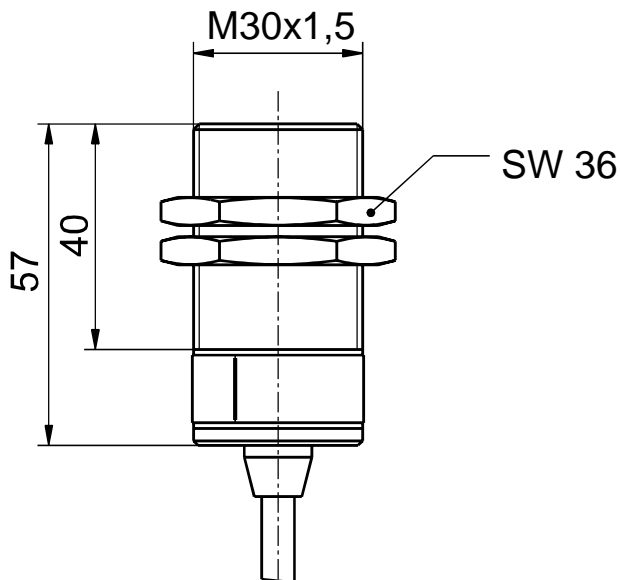
Features/Options:

- Metal enclosure
- Long life
- Reed contacts, coded
- Actuation from front
- Switching distance up to 10 mm
- With pre-wired cable

Notes

- 2 mounting nuts are included in delivery
- The actuator is not included in the delivery of the switches

Dimensions



Technical data

| | |
|-----------------------|---|
| Applied standards | EN ISO 13849-1, EN ISO 14119, EN 60947-5-2, EN 60947-5-3* |
| Enclosure | brass, nickeled |
| Sensor type | type 4 interlocking device |
| Coding level | low coding |
| Tightening torque | mounting nut: max. 75 Nm |
| Degree of protection | IP 67 to IEC/EN 60529 |
| Safety-relevant data: | |
| EN ISO 13849-1 | Performance Level PL e |
| Category | 4 |
| B_{10d} (10 % load) | 20 million |
| T_M | max. 20 years |
| $MTTF_d$ | > 100 years |
| DC/DC _{avg} | > 99 % |
| h_{op} | 8 h/day |
| d_{op} | 220 days/year |
| t_{zyklus} | 20 s |
| Note | The safety-related data are only valid in combination with a safety module, e.g. SRM 21 RT2 (mat. no. 1179203). |
| Switching system | reed contacts |
| Switching elements | 1 NC/1 NO contact |
| Connection | pre-wired cable H03VV-F |
| Cable cross-section | 4 x 0.5 mm ² |

Errors and omissions excepted.



Safety sensor

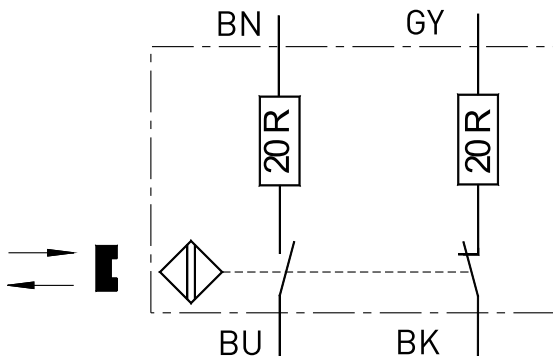
RC Si M30 1Ö/1S - 10m

Material number: 1189541 (Material number old: 23000902)

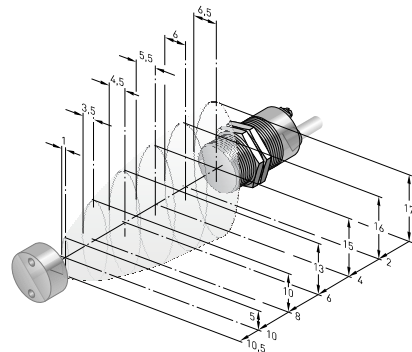
Technical data

| | |
|---|-------------------------|
| Cable length | 10 m |
| Switching voltage | max. 30 VDC |
| Rated operating current/ voltage I_e/U_e | max. 157 mA / 24 VDC |
| Utilisation category | DC-12 |
| Voltage drop at I_e | max. 3.15 V |
| Short-circuit current I_k | max. 750 mA for 50 ms |
| Switching frequency | max. 5 Hz |
| Degree of pollution | 3 |
| Safety class | II |
| Rated switching distance s_n | 10 mm |
| Assured switching distance »ON« s_{ao} | 8 mm |
| Assured switching distance »OFF« s_{ar} | 30 mm |
| Repeatability | ± 0.5 mm |
| Hysteresis | approx. 14 mm |
| Ambient temperature | -20 °C ... +70 °C |
| Storage and shipping temperature | -30 °C ... +85 °C |
| Mechanical life | > 10 million operations |
| Weight | 696 g |

Contact diagram



Axial misalignment



Errors and omissions excepted.