



Position switch Extreme with safety function ES 97 WHKD-11 IP69 Extreme Material number: 1493702

Features/Options:

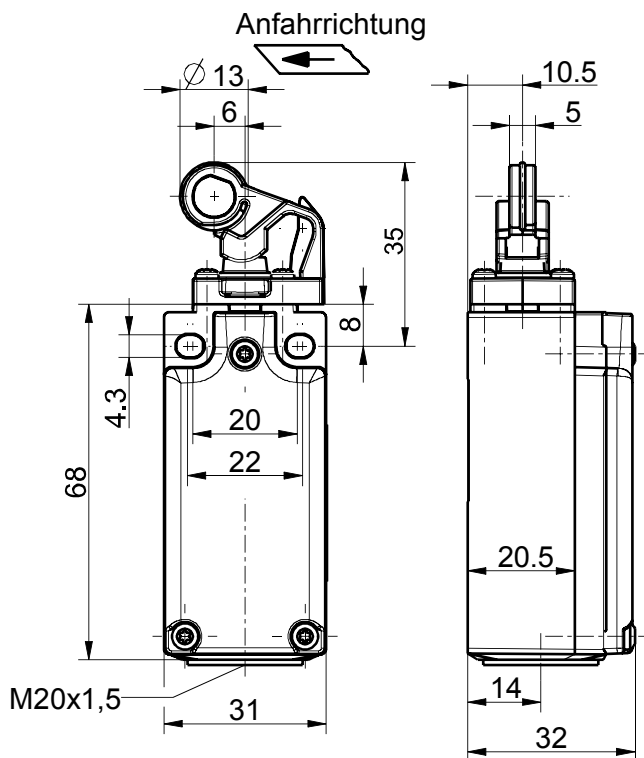
- Thermoplastic enclosure
- High degree of protection IP 69, IP 69K
- Salt-mist proof
- Design to EN 50047

Notes

- 1 cable gland M20x1.5 - IP 69 included in delivery

- Wiring compartment
- Double insulated
- Actuator: Plastic roller lever with collar and stainless steel wire ring WHKD (insensitive to soiling)

Dimensions



Technical data

Applied standards	EN ISO 13849-1, EN 60947-5-1, EN ISO 14119
Enclosure	thermoplastic, glass-fibre reinforced, impact resistant, self-extinguishing UL 94 V-0
Cover	thermoset, glass-fibre reinforced, impact resistant, self-extinguishing UL 94 V-0
Switch type	type 1
Coding level	no coding
Degree of protection	IP 66, IP 67, IP 69 (IEC/EN 60529) / IP 69K (ISO 20653)
B _{10d} (10 % load)	-20 °C: 800 000 +20 °C: 2 000 000 +70 °C: 1 000 000
T _M	max. 20 years
Contact material	silver
Switching system	slow action, positive break NC contacts \ominus
Switching elements	1 NC/1 NO contact, type Zb
Connection	screw connection terminals
Cable cross-section	max. 2.5 mm ² (incl. conductor ferrules)
Cable entry	1 x M20 x 1.5
Rated impulse withstand voltage U _{imp}	4 kV
Rated insulation voltage U _i	250 V
Conventional thermal current I _{the}	6 A
Rated operating current/voltage I _e /U _e	6 A/250 VAC; 0,25 A/230 VDC; 4 A/24 VDC min. 10 mA / 24 V

Errors and omissions excepted.



Position switch Extreme with safety function
ES 97 WHKD-11 IP69 Extreme
Material number: 1493702

Technical data

Utilisation category	AC-15; DC-13
Short-circuit protection	6 A gG/gN fuse
Mechanical life	-20 °C: 400 000 operations +20 °C: 1 000 000 operations +70 °C: 500 000 operations
Operation cycles	max. 1800/h
Ambient temperature	-20 °C ... +70 °C
Weight	89 g

Contact diagram

